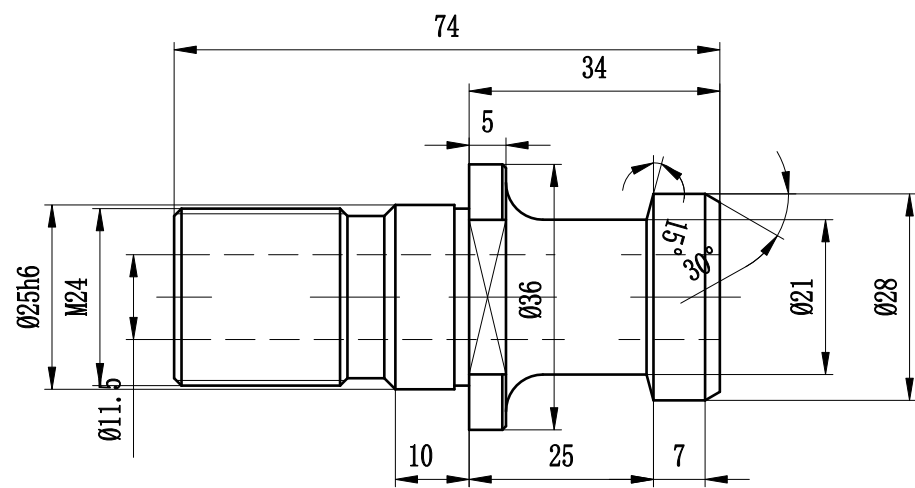
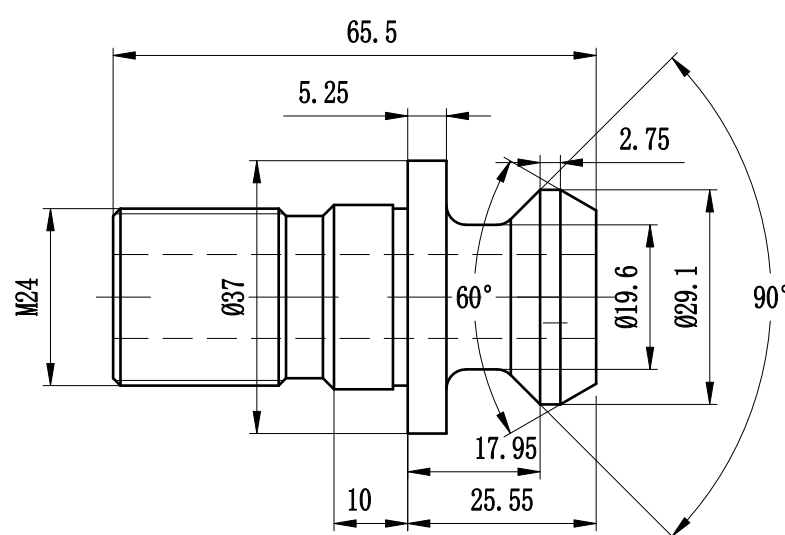


50刀柄拉钉尺寸图

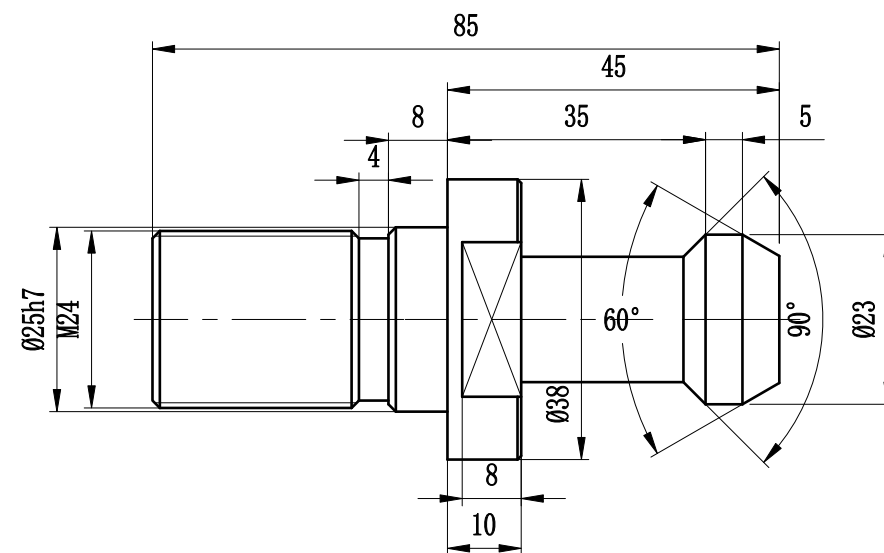
(ISO 7388/2-Type A)
DIN50 (JT50)



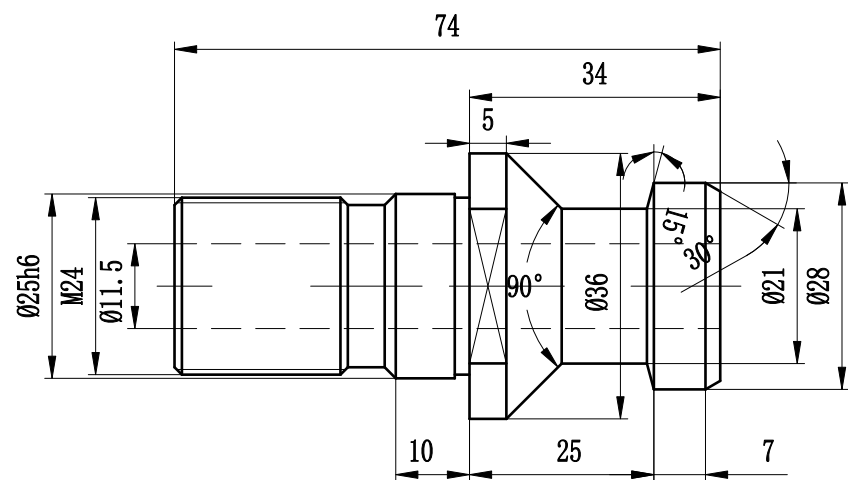
(ISO 7388/2-Type B)
CAT50



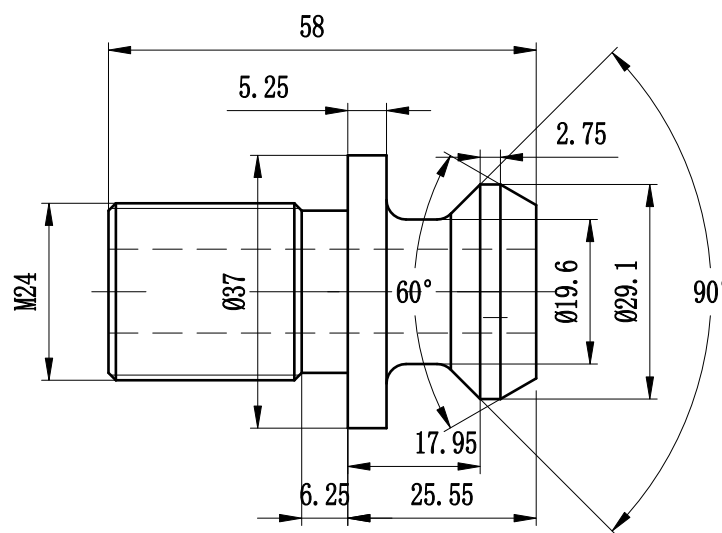
(MAS 403-PT1)
BT50-1



(DIN 69872-A)
DIN50 (JT50)



(ANSI B5.50)
CAT50



(MAS 403-PT2)
BT50-2

